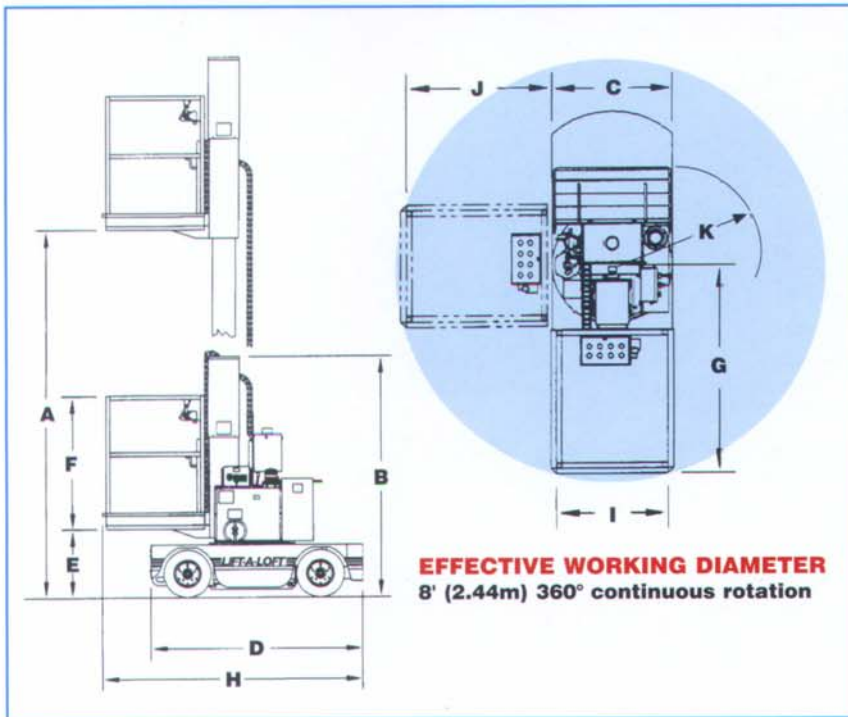


VAL 15/28-H

LIFT-A-LOFT



VAL 15/28-H SPECIFICATIONS



| MODEL | A | B | C | D | |
|--------------------|-------------------------|---------------|-------------|--------------|-------------------------|
| | Max. Vert. Platform Ht. | Travel Height | Base Width | Base Length | Approximate Weight |
| VAL 15/28-H | 15'5" 4.7m | 6'7" 2m | 28" .71m | 68" 1.74m | 2,600 lb 1,179.87 kg |

- E.** Minimum platform height - 23" (.58m)
- F.** Rail Height - 40" (1.02m)
- G.** Maximum reach from center - 4' (1.22m)
- H.** Overall length - 6'11" (2.1m)

- I.** Platform width - 26" (.66m)
- J.** Platform length - 32" (.81m)
- K.** Battery box swing radius - 24.4" (.62m) from CL of unit

NARROW DESIGN/ROTATION/DRIVES AT ELEVATION

The VAL 15/28-H is designed for operation in congested areas with narrow aisles. The ability to maneuver through narrow doors and aisles increases productivity for in-plant maintenance and production.

PERFORMANCE**

- Travel speed - 2.3 mph (3.7 km)
- Turning radius - 56" (1.42 m)
- Gradeability - 25%
- Platform lift speed - .45 fps (.14 m)
- Platform lower speed - .79 fps (.24 m)
- Platform rotation - 360° continuous
- Platform rotation speed - 1 rpm
- Platform capacity - 300 lbs. (136 kg)
- Speed control -
 - Slow - .7 mph (1.1 km) at elevation.
 - Fast - 2.3 mph (3.7 km)

Brakes - Spring applied pressure release

**All performance characteristics given here are average and may be affected by operating conditions in your plant.

BATTERY INFORMATION

- Minimum weight - 750 lbs. (340.2 kg)
- Voltage - 24 volt
- Connector - SB 350 Gray
- Compartment - 26.5"L x 13"W x 31"H
(.67mL x .33mW x .79mH)
- Lead position - "B" - 30" (.762 m long)

WHEELS

16" x 5" (.49m x .127m) solid

PAINT

Standard color is Smoke Gray.

STANDARDS

The VAL 15/28-H meets or exceeds all applicable ANSI Standards (A92.6 1990).

**As Lift-A-Loft products are continuously being evaluated for improvements, specifications are subject to change without prior notification.

*The VAL 15/28-H is available with the optional USPO package, featuring the following additional specifications:

- Red blinking light
- Down buzzer
- Side curtains
- Special decals
- Type "E" construction
- Tilt switches
- Travel buzzer
- Safety yellow paint

Lift-A-Loft Products Are Sold and Serviced By:



LIFT-A-LOFT CORPORATION

9501 South Center Road, Muncie, IN 47302-9443, USA • P.O. Box 2645, Muncie, IN 47307-0645, USA • Phone: 765-288-3691 • Fax: 765-284-1023