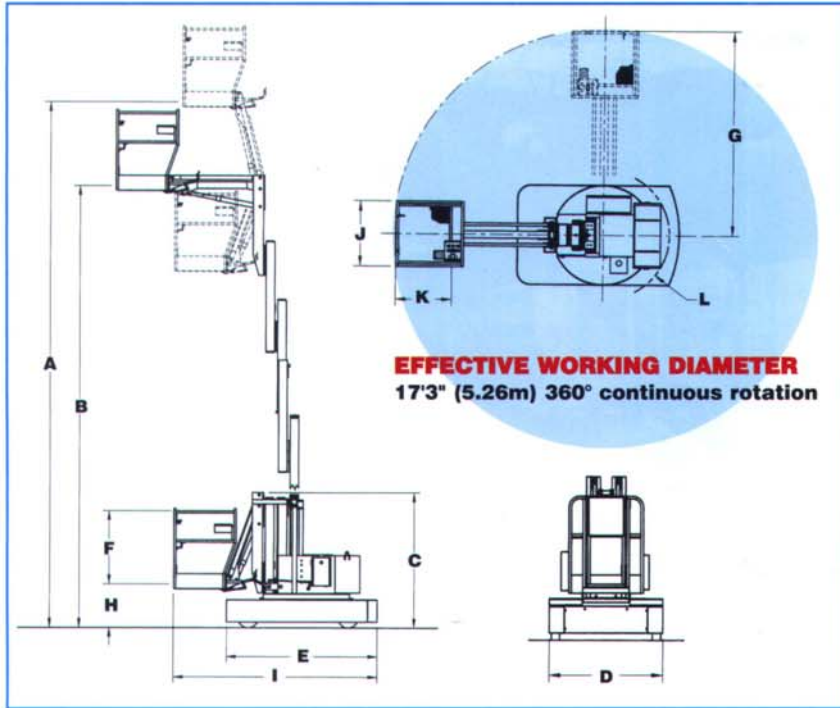


RAL Series

LIFT-A-LOFT



RAL SPECIFICATIONS



MODEL	A	B	C	D	E	
	Max. Vert. Platform Ht.	Max. Hor. Platform Ht.	Travel Height	Chassis Width	Chassis Length	Vehicle Wt. w/o Battery
RAL 48-25	29'0" 8.84m	24'10" 7.57 m	7'11" 2.413 m	4'0" 1.219 m	6'6" 1.98m	7,300 lbs. 3,311.22 kg.
RAL 48-29	33'0" 10.06m	28'10" 8.79 m	8'11" 2.718 m	4'0" 1.219 m	6'6" 1.98m	7,400 lbs. 3,356.58 kg.
RAL 55-32	35'6" 10.82m	31'4" 9.55 m	8'2" 2.489m	4'7" 1.397 m	7'4" 2.235m	7,900 lbs. 3,583.37 kg.

- F.** Rail Height - 43" (1.09m)
- G.** Maximum reach from center - 8'7" (2.62m)
- H.** Minimum platform height - 26" (.66m)
- I.** Overall length
RAL 48 - 9'3" (2.819m)
RAL 55 - 10'4" (3.15m)
- J.** Platform width - 3'0" (.91m)

- K.** Platform length - 30" (.76m)
At floor expanding to 38" (.96m) at top rail
- L.** Battery box swing radius from center line: -
RAL 48 & 55 - 36 1/2" (.93m)
- Turning Radius
RAL 48 - 8'8" (2.65m)
RAL 55 - 10'0" (3.04m)

UNIQUE REACH/ROTATION

The RAL provides UP-OVER-UNDER access and reach when working in congested areas at working heights of up to 42'. This unique design allows for greater mobility and productivity when overhead congestion reduces accessibility.

LIFT-A-LOFT CORPORATION

9501 South Center Road, Muncie, IN 47302-9443, USA • P.O. Box 2645, Muncie, IN 47307-0645, USA • Phone: 765-288-3691 • Fax: 765-284-1023
www.liftaloff.com

PERFORMANCE**

- Travel speed - Creep to 4.25 mph (6.83km)
- Gradeability - 10%
- Platform lift - .3 fps (.091 m)
- Platform lower - .5 fps (.152 m)
- Platform rotation - 360° @ 1rpm
- Platform capacity - 500 lbs. (226.8 kg)
- Speed control - SCR
- Brakes - 7" (.177m) drum, spring applied

**All performance characteristics given here are average and may be affected by operating conditions in your plant.

BATTERY INFORMATION

- Voltage - 24 volt
- Connector - 350 SB Gray
- Compartment - 32"L x 14"W x 25"H
(.813m L x .356m W x .635m H)
- Lead position - "B" - 30" (.762m) long

WHEELS

- Drive wheels - 12" x 5 1/2" (.305m x .139m)
80 Durometer Polyurethane
- Steer wheels - 12" x 5 1/2" (.305m x .139m)
80 Durometer Polyurethane

PAINT

Standard color is Smoke Gray.

STANDARDS

The RAL series meets or exceeds all applicable ANSI Standards (A92.5 1992).

**As Lift-A-Loft products are continuously being evaluated for improvements, specifications are subject to change without prior notification.

Lift-A-Loft Products Are Sold and Serviced By:

