

AMR-40 Series

LIFT-A-LOFT



PLATFORM CONTROLS

Features fully proportional drive, rotation, arm and mast controls.



FLEXIBLE CATRAC

Provides protection for all electrical lines to the platform.



ARTICULATING ARM

Provides up to 8'7" (2.63m) of reach at full elevation of mast.

SELF CLOSING, SELF LATCHING GATE

Ensures a safe, enclosed working platform.

LANYARD ATTACHMENT POINTS

Provide a secure location to attach lanyards.

MANUAL OVERRIDE SYSTEM

Allows any function to be performed in the event electric power is lost.

ROLL OUT BATTERY TRAYS

Four, 6 volt batteries contained in each compartment provide a 48 volt system.

BASE CONTROLS

Provide duplicate function control for emergency use and testing.



ON-BOARD CHARGER

This on-board 110V charger allows batteries to charge at any appropriate electrical outlet.

OUR METER

Keeps track of machine usage for preventative maintenance.

INPUT FOR CHARGER/110V OUTLET

Input from power source charges batteries when key is turned off, charging light illuminates. When key is turned on, power is supplied to the 110V outlet located in the platform.

STEEL BUMPERS

Protect fiberglass covers and components.

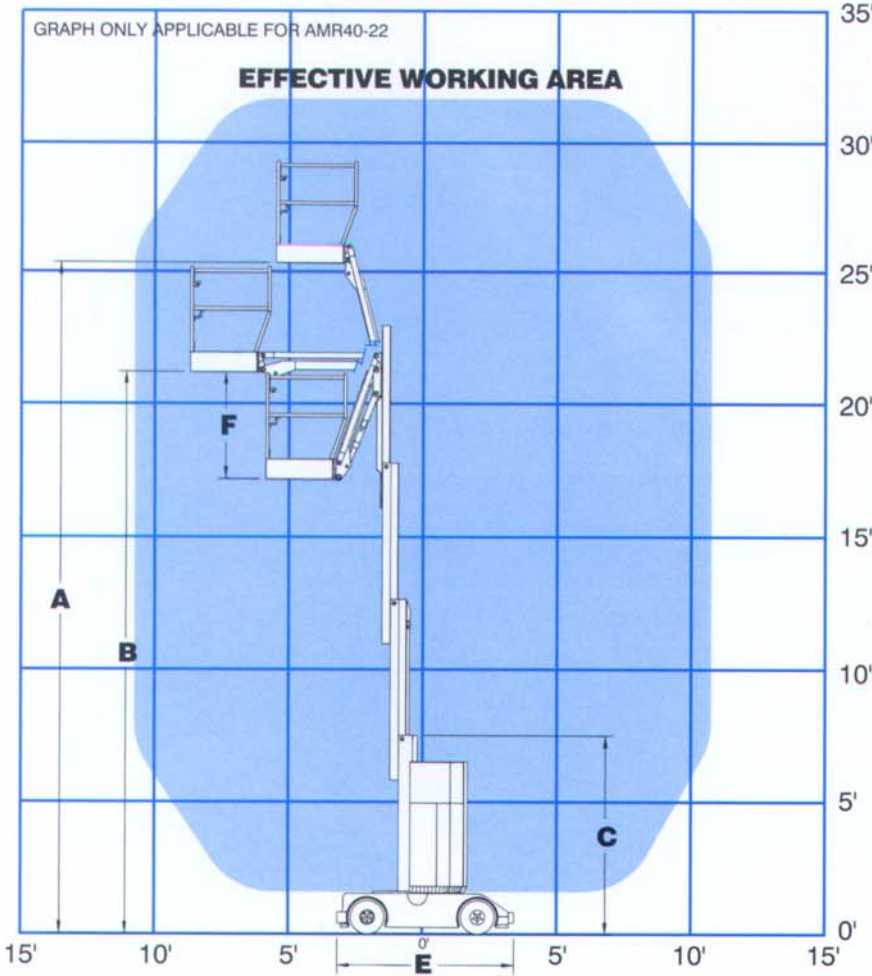
AMR40 Series

Designed for world class markets, the AMR40 Series offers many features not found in conventional aerial lifts.

The AMR40 is the product of choice for customers with narrow aisles and congested plant environments. The AMR40 is a very

solid machine built with the same rigid guidelines as other Lift-A-Loft products that have seen years and years of service.

AMR40 SERIES SPECIFICATIONS



PERFORMANCE**

Travel Speed –

0 to 2.65 mph (4.26 km/h) proportional when lowered

0 to .5 mph (.80 km/h) proportional when elevated

Gradeability – 15%

Raise Speed – .6 fps (.18m)

Lower Speed – .75 fps (.23m)

Rotation – 360° continuous at 1 rpm

Platform Capacity – 500 lbs. (226.80 kg)

Controls – Fully proportional drive, mast arm and rotation controls

Brakes – Hydraulic spring applied, pressure released

** All performance characteristics given here are average and may be affected by operating conditions in your plant.

BATTERY INFORMATION

Voltage – 48 Volt System

Battery Pack – Eight (8), six volt, deep cycle 305 AHC batteries are used.

Charger – Automatic 25 AMP on-board charger

Indicator Light – Illuminated when batteries are charging

WHEELS

4" x 16" (.10m x 1.33m) solid rubber, 90 Durometer

PAINT

Standard Color – Smoke Gray with black trim

STANDARDS

The AMR40 Series meets or exceeds all applicable ANSI Standards (A92.5 1992).

** As Lift-A-Loft products are continuously being evaluated for improvements, specifications are subject to change without prior notification.

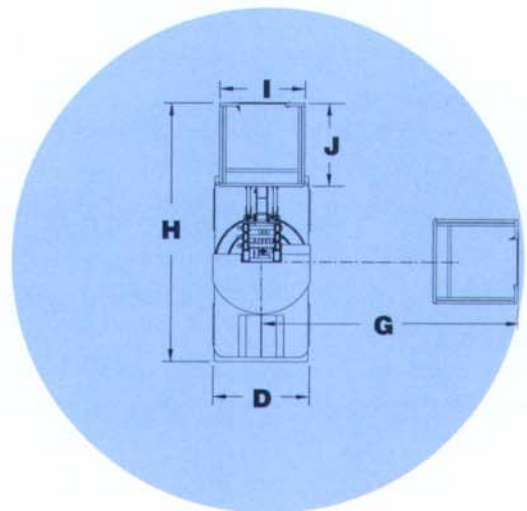
MODEL	A	B	C	D	E	
	Max. Vert. Platform Ht.	Max. Hor. Platform Ht.	Travel Height	Chassis Width	Chassis Length	Unit Weight
AMR40-18	22'4" 6.81m	18'3" 5.56m	6'7" 2.0m	41" 1.04m	6'8" 2.03m	7,490 lb 3,397 kg
AMR40-20	23'7" 7.19m	19'6" 5.94m	7'1" 2.15m	41" 1.04m	6'8" 2.03m	7,565 lb 3,431 kg
AMR40-22	25'6" 7.77m	21'5" 6.53m	7'8" 2.33m	41" 1.04m	6'8" 2.03m	7,640 lb 3,465 kg

- F.** Rail Height 43" (1.09m)
G. Maximum Reach from Center: 8'7" (2.62m)
H. Overall Length: 9'2" (2.79m)
I. Platform Width: 36" (.91m)

- J.** Platform Length: 30" (.76m) at floor expanding to 38" (.96m) at top rail.
 Tail Swing: 2" (.05m)
 Min. Platform Ht.: 24" (.61m)
 Turning Radius: 5'10" (1.78m)

EFFECTIVE WORKING DIAMETER

17'3" (5.26m) 360° continuous rotation



WHY AN AMR40?

■ More Versatile

360° continuous rotation
Articulating arm, for up and over positioning
8'7" (2.62m) of horizontal reach

■ Less Cumbersome

Driveable with the platform in any position at elevation
Up to 2.65 mph (4.26kmh) travel speed in the lowered position
No cumbersome outriggers

■ More Maneuverable

Features virtually no tail swing
Fully operational in aisles as narrow as 42" (1.06m)
Maximum reach is available even at full mast elevation

OPTIONS

18" LONGER PLATFORM

Provides over 10' (3m) of reach.

AIR LINE TO THE PLATFORM

Eliminating the need to run extra lines, this feature allows the operator to connect to an air supply at the base and plug tools in at the platform.

STEEL COVERS

On base, around mast or both. In harsh environments these covers provide added protection.

ROTATING WARNING LIGHT

Provides a visual warning that the unit is in operation.

EE RATED, U.L. CERTIFIED

For hazardous environments, this feature can provide added protection.

FLASHING RED LIGHT

Provides a visual warning that the unit is in operation.

NON-MARKING TIRES

These white tires help prevent marking on expensive or sensitive floors.

LOW BATTERY DETECTOR

This gauge shows an accurate measure of the battery charge. It also cuts out the lifting function once the gauge registers below 20%.

REPLACEABLE BATTERY BOXES

With connectors, this option allows for continuous usage.

60 AMP CHARGER

Wall mounted, requiring 220V input, this charger can restore batteries quicker.

MOTION ALARMS

Provides an auditory warning that the lift is in motion.



Lift-A-Loft Products Are Sold and Serviced By:



LIFT-A-LOFT CORPORATION

9501 South Center Road, Muncie, IN 47302-9443, USA • P.O. Box 2645, Muncie, IN 47307-0645, USA • Phone: 765-288-3691 • Fax: 765-284-1023

www.liftaloft.com